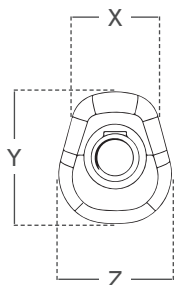
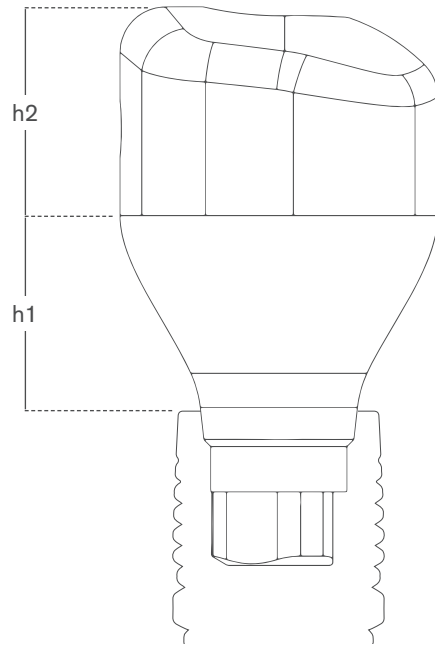
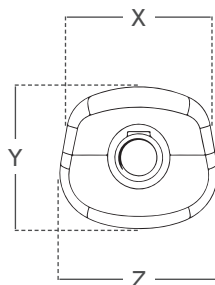


Compatibility Anthogyr Axiom

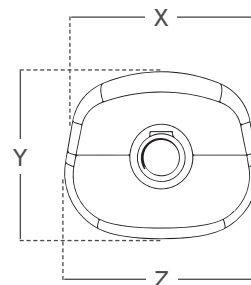
Dimensional characteristics



Shape A



Shape B

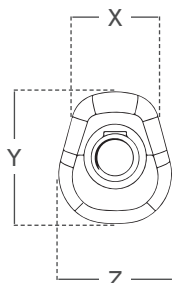
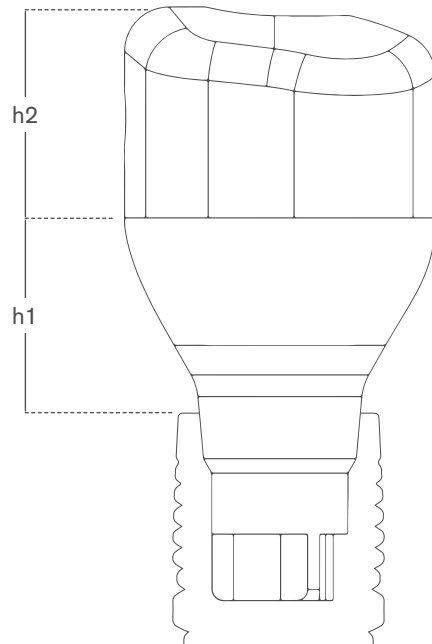


Shape C

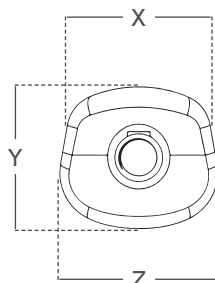
Reference	AAX_I.A1	AAX_I.A3	AAX_I.B1	AAX_I.B3	AAX_I.C1	AAX_I.C3
Shape	A	A	B	B	C	C
h1 (mm)	1.2	3.2	1.6	3.6	2	3.7
h2 (mm)	4.1	4.2	3.7	3.7	3.3	3.6
X (mm)	3.4	3.4	5.6	5.6	7	7
Y (mm)	5.2	5.2	5.6	5.6	6.6	6.6
Z (mm)	4.5	4.5	6.2	6.2	7.6	7.6

Compatibility Biotech Dental Kontakt

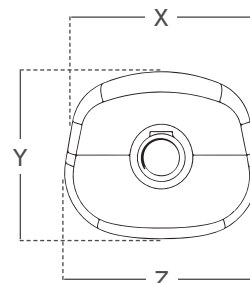
Dimensional characteristics



Shape A



Shape B

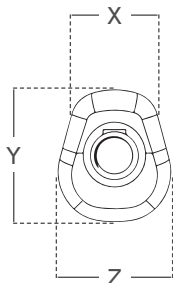
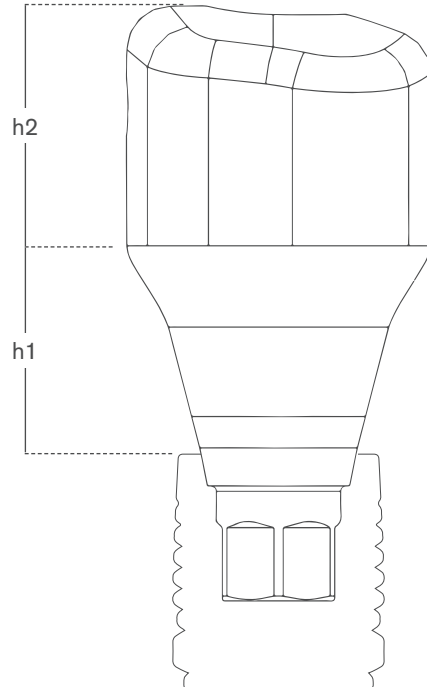


Shape C

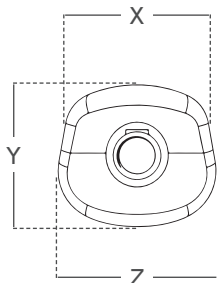
Reference	BKO_I.A1	BKO_I.A3	BKO_I.B1	BKO_I.B3	BKO_I.C1	BKO_I.C3
Shape	A	A	B	B	C	C
h1 (mm)	1.2	3	1.7	3.5	1.7	3.7
h2 (mm)	4.1	4.3	3.7	3.8	3.7	3.7
X (mm)	3.4	3.4	5.6	5.6	7	7
Y (mm)	5.2	5.2	5.6	5.6	6.6	6.6
Z (mm)	4.5	4.5	6.2	6.2	7.6	7.6

Compatibility etk Naturactis Naturall+ Natea+ (except Ø 3)

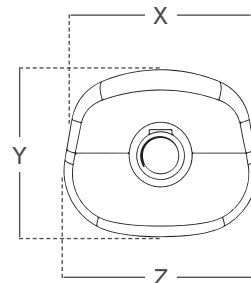
Dimensional characteristics



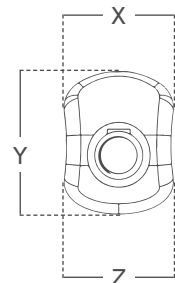
Shape A



Shape B



Shape C

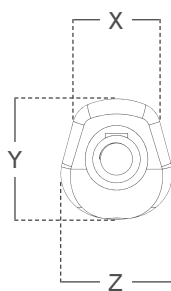
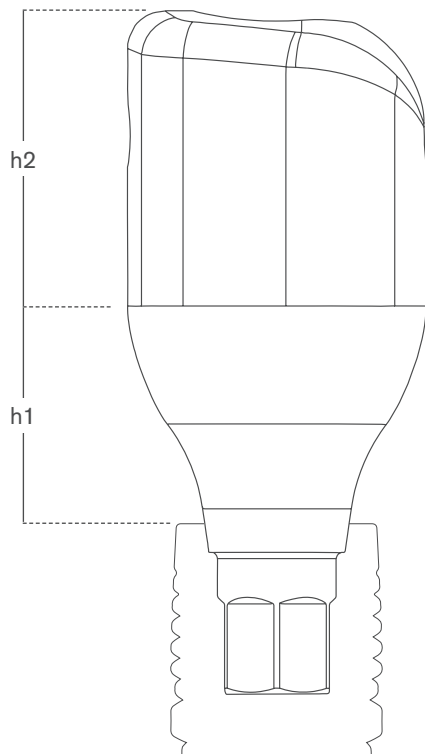


Shape D

Reference	NCI_I.A1	NCI_I.A2	NCI_I.A4	NCI_I.B1	NCI_I.B2	NCI_I.B4	NCI_I.A1	NCI_I.A2	NCI_I.A4	NCI_I.B1	NCI_I.B2	NCI_I.B4
Shape	A	A	A	B	B	B	A	A	A	B	B	B
h1 (mm)	1.2	2.2	3.9	1.5	2.6	3.9	1.2	2.2	3.9	1.5	2.6	3.9
h2 (mm)	4.6	4.2	4.4	3.8	3.8	4.4	4.6	4.2	4.4	3.8	3.8	4.4
X (mm)	3.4	3.4	3.4	5.6	5.6	5.6	3.4	3.4	3.4	5.6	5.6	5.6
Y (mm)	5.2	5.2	5.2	5.6	5.6	5.6	5.2	5.2	5.2	5.6	5.6	5.6
Z (mm)	4.5	4.5	4.5	6.2	6.2	6.2	4.5	4.5	4.5	6.2	6.2	6.2

Compatibility etk Naturactis Naturall+ Ø 3

Dimensional characteristics

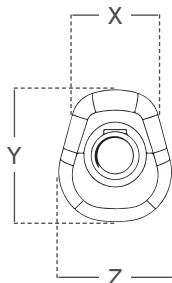
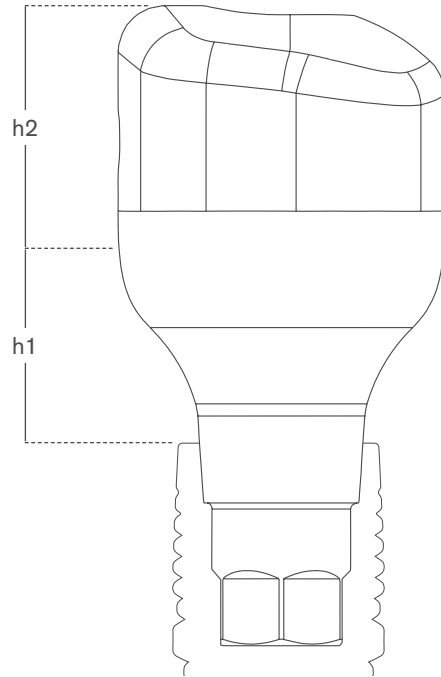


Shape A

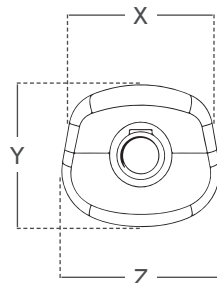
Reference	NCI3_I.A2	NCI3_I.A4
Shape	A	A
h1 (mm)	2	3.6
h2 (mm)	4.3	8.3
X (mm)	3.5	3.5
Y (mm)	4.8	4.8
Z (mm)	4.5	4.5

Compatibility Global D In-Kone

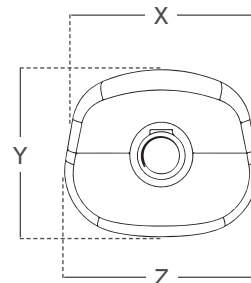
Dimensional characteristics



Shape A



Shape B

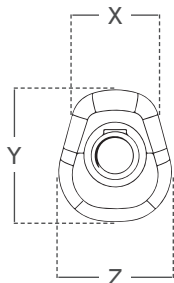
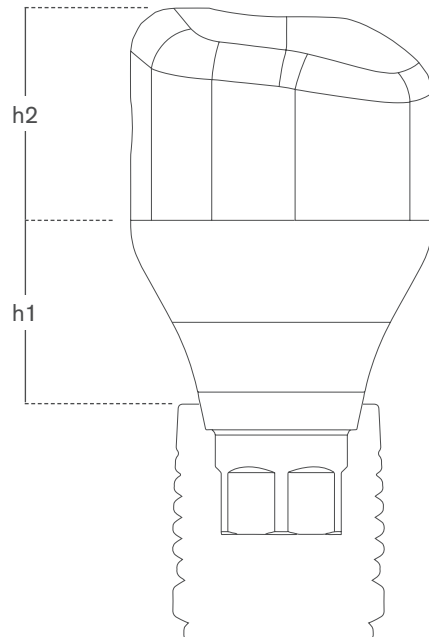


Shape C

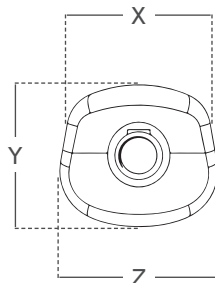
Reference	GIK_I.A1	GIK_I.A3	GIK_I.B1	GIK_I.B3	GIK_I.C1	GIK_I.C3
Shape	A	A	B	B	C	C
h1 (mm)	1.8	3	2	3.5	1.7	3.5
h2 (mm)	3.7	4.5	3.5	4	3.8	4
X (mm)	3.7	3.7	5.6	5.6	7	7
Y (mm)	5.9	5.9	5.6	5.6	6.6	6.6
Z (mm)	5	5	6.2	6.2	7.7	7.7

Compatibility Nobel Biocare CC

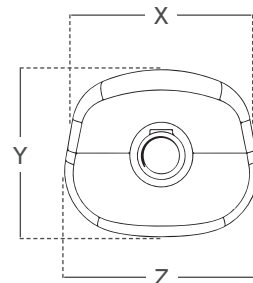
Dimensional characteristics



Shape A



Shape B

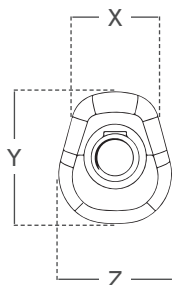
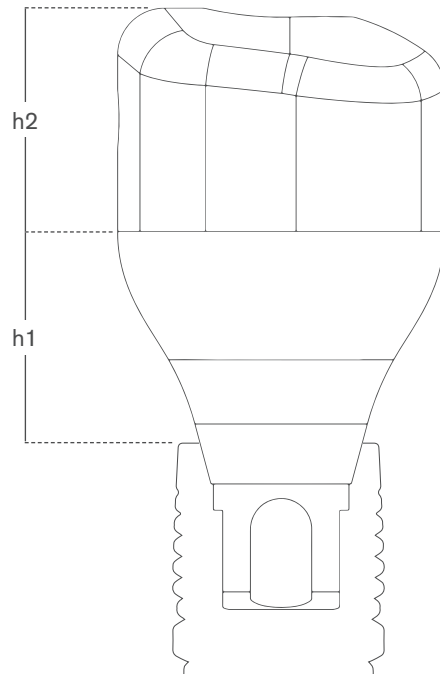


Shape C

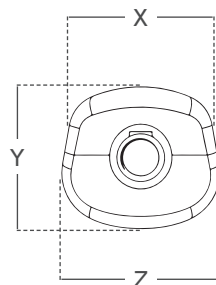
Reference	NCCN_I.A1	NCCN_I.A3	NCCN_I.B1	NCCN_I.B3	NCCR_I.B1	NCCR_I.B3	NCCR_I.C1	NCCR_I.C3
Shape	A	A	B	B	B	B	C	C
h1 (mm)	1.3	3.6	1.5	3.4	1.5	3.5	1.7	3.5
h2 (mm)	4	3.8	3.9	4	3.8	3.8	3.8	3.8
X (mm)	3.4	3.4	5.6	5.6	5.6	5.6	7	7
Y (mm)	5.2	5.2	5.6	5.6	5.6	5.6	6.6	6.6
Z (mm)	4.5	4.5	6.2	6.2	6.2	6.2	7.6	7.6

Compatibility Straumann Bone Level

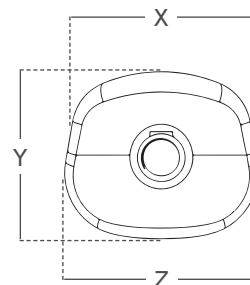
Dimensional characteristics



Shape A



Shape B

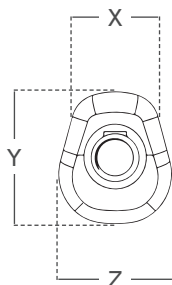
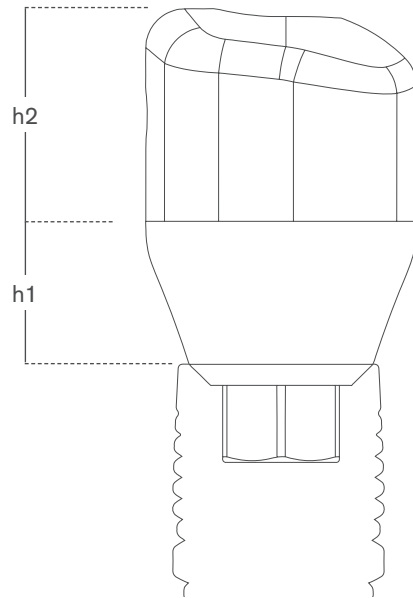


Shape C

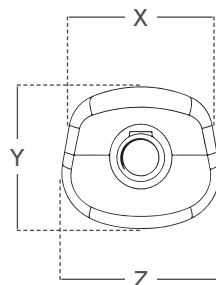
Reference	SBLN_I.A1	SBLN_I.A3	SBLN_I.B1	SBLN_I.B3	SBLR_I.B1	SBLR_I.B3	SBLR_I.C1	SBLR_I.C3
Shape	A	A	B	B	B	B	C	C
h1 (mm)	1.6	3.6	2	3.6	1.8	3.6	2	3.6
h2 (mm)	3.9	3.8	3.5	3.8	3.5	3.7	3.2	3.7
X (mm)	3.4	3.4	5.6	5.6	5.6	5.6	7	7
Y (mm)	5.2	5.2	5.6	5.6	5.6	5.6	6.6	6.6
Z (mm)	4.5	4.5	6.2	6.2	6.2	6.2	7.7	7.7

Compatibility Zimmer TSV & Trabecular Metal

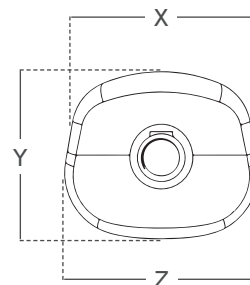
Dimensional characteristics



Shape A



Shape B



Shape C

Reference	ZSC35_I.A1	ZSC35_I.A3	ZSC35_I.B1	ZSC35_I.B3	ZSC35_I.C1	ZSC35_I.C3	ZSC45_I.B1	ZSC45_I.B3	ZSC45_I.C1	ZSC45_I.C3
Shape	A	A	B	B	C	C	B	B	C	C
h1 (mm)	1.4	2.8	1.2	3	1.4	3	1.3	2.6	1.3	3
h2 (mm)	4	4.6	4.2	4.4	4	4.2	4.2	5.1	4.2	4.5
X (mm)	3.6	3.6	5.6	5.6	6.9	6.9	5.6	5.6	6.9	6.9
Y (mm)	5.9	5.9	5.6	5.6	6.6	6.6	5.6	5.6	6.6	6.6
Z (mm)	4.8	4.8	6.3	6.3	7.6	7.6	6.3	6.3	7.6	7.6